

Dual-spectrum PTZ Camera

PC4S4A1



Product Features

- Clearer imaging with the latest 12 μ m uncooled infrared detector and leading infrared image algorithm.
- Visual and 1.3MP thermal dual-spectrum imaging to satisfy 24/7 security monitoring.
- Support 75mm motorized focus, 25~75mm continuous zoom infrared lens to satisfy long-distance detection.
- Support intelligent behavior analysis, such as tripwire detection and region intrusion detection.
- Support intelligent fire detection and infrared video analysis to meet the requirement of forest fire prevention and intelligent firefighting.
- Integrated with high-speed and high-accuracy Pan/Tilt, encapsulation rating IP66.
- Support single IP dual-channel network video transmission, capable of transmitting both visible light video and infrared video simultaneously.
- Support ONVIF standard protocols, provide SDK, matched NVR and software.

Product Specifications

Technical Index		Dual-spectrum PTZ Camera	
Thermal	Sensor Type	VOx uncooled FPA detector	
	Spectral Range	8~14μm	
	NETD	≤40mK(@25°C,F#1.0,25Hz)	
	Max. Resolution	1280×1024	
	Pixel Pitch	12μm	
	Focal Length	75mm	25~75mm
	Focus Mode	Auto/Manual/One-shot Auto	
	FOV	11.7°×9.4°	35.9°×28.5°~11.7°×9.4°
	F number	F1.0	F0.95~F1.2
	Spatial Resolution	0.160mrad	0.480~0.160mrad
	Color Palettes	20 modes selectable such as Blackhot/Whitehot/Rainbow,etc.	
Visible	Image sensor	1/1.8inch 4MP CMOS	
	Max. Resolution	2688×1520	
	Focal Length	6~300mm	
	Focus Mode	Auto / Manual / One-shot auto	
	FOV	66.0°×40.3°~ 1.4°×0.8°	
	WDR	Support	
	Day /Night	Manual/Auto	
	Defog	Support optical defog	
PTZ	Pan Range	360° Continuous Rotate	
	Pan Speed	0.1°~100°/s	
	Tilt Range	-90°~+40°	
	Tilt Speed	0.1°~60°/s	
	Scan Mode	Preset/Tour/Patrol Scan/Linear Scan/Pattern	
Network	Protocols	TCP/IP,UDP,ICMP,HTTP,HTTPS,FTP,DHCP,DNS,RTP,R TSP,RTCP,IGMP,SMTP, NTP, QoS	
	Interoperability	ONVIF/SDK	
	Simultaneous live view	Up to 20 channels	
	User Management	Up to 20 users, 2 levels: Administrator and User	
	Browser	Support IE, Edge, Google Chrome and Mozilla Firefox	
Video	Max. Resolution	2688×1520(Visible), 1280×1024 (Thermal)	
	Image Encoding Format	JPEG	

Technical Index		Dual-spectrum PTZ Camera
	Audio Compression	G.711A/G.711Mu/PCM/AAC/MPEG2-Layer2
	Video Compression	H.264/H.265/MJPEG
	Main Stream	Visible: 50Hz:25fps(2688×1520,1920×1080,1280×720) 60Hz:30fps(2688×1520,1920×1080,1280×720) Thermal: 50Hz:25fps(1280×1024,1280×720,1024×768)
	Sub Stream	Visible: 50Hz:25fps(1920×1080,1280×720,704×576,352×288) 60Hz:30fps(1920×1080,1280×720,704×480,352×240) Thermal: 50Hz:25fps(640×512,384×288)
Smart Function	Fire Detection	yes
	Zoom Linkage	yes
	Smart Record	Alarm trigger recording, disconnection trigger recording (continue transmission after connection)
	Smart Alarm	Support alarm trigger of network disconnection, IP address conflict, memory error, illegal access, abnormal audio and burn alert
	Smart Detecting	Support smart video analysis such as line intrusion, cross-border, and region intrusion
	Alarm Linkage	Recording/Snapshot/Sending Email/PTZ linkage/Alarm output
System Interface	Power Supply	DC 24V±15%
	Communication Interface	RJ45 self-adaptive 10M/100M Ethernet port
	Audio Interface	1channel input, 1 channel output
	Alarm Interface	7-channel input, 2-channel output
	Storage Interface	Support Micro SD card (Max.256G)
	Communication Interface	1-channel RS485
General	Operating Conditions	-40℃~+70℃; <90%RH
	Protection Grade	IP66, TVS 6000V Lightning Protection, Surge Protection and Voltage Transient Protection
	Power Consumption	Max.75W
	Dimensions(mm)	250mm×472mm×360mm(W×H×L)
	Weight	14KG

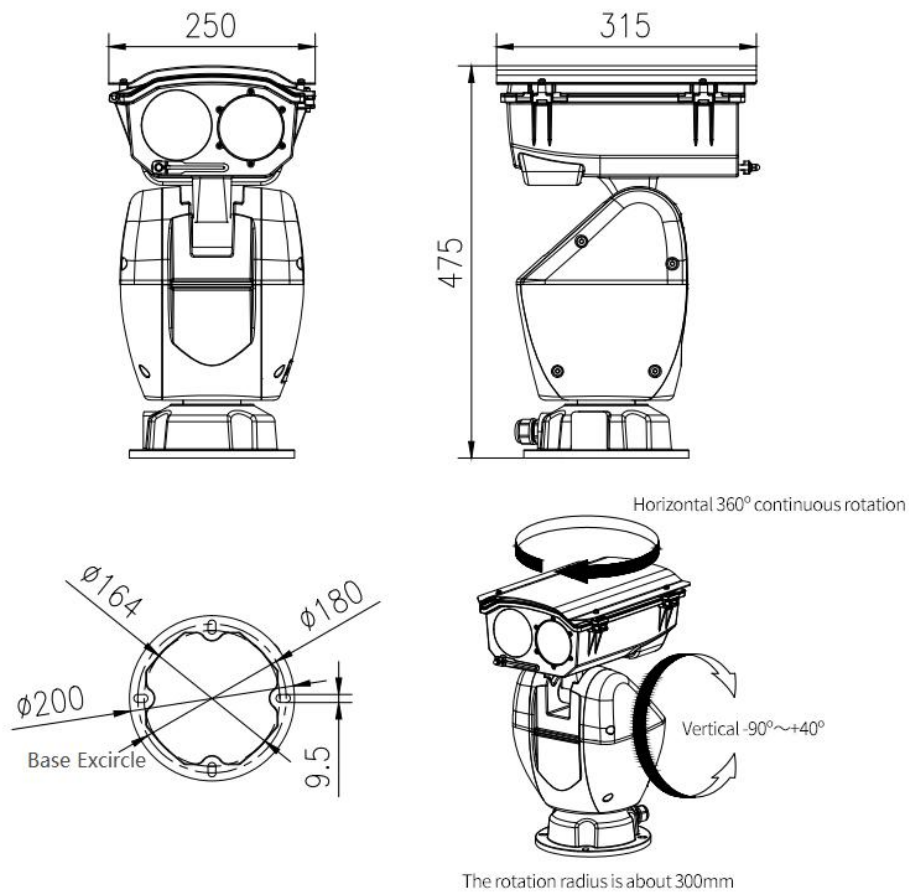
Effective Range

The recommended distance of detection, recognition and identification for human (1.8×0.5m) and vehicle (1.4×4.0m) are as follows:

- DD stands for Detection Distance;
- RD stands for Recognition Distance;
- ID stands for Identification Distance;

Lens	DD (Vehicle)	DD (Human)	RD (Vehicle)	RD (Human)	ID (Vehicle)	ID (Human)
75mm	9.6km	3.1km	2.4km	0.8km	1.2km	0.4km
25mm	3.2km	1.0km	0.8km	0.3km	0.4km	0.1km

Structural Drawings



This datasheet is subject to change without prior notice. Please contact us to get the latest datasheet.